

NOTES:

Typical 6" Offset From Wall Face.
 Typical 45 Degree Upright Bend Angle

Distance "B", Face Height of Fascia or Coping Cap.
 Distance "B": _____

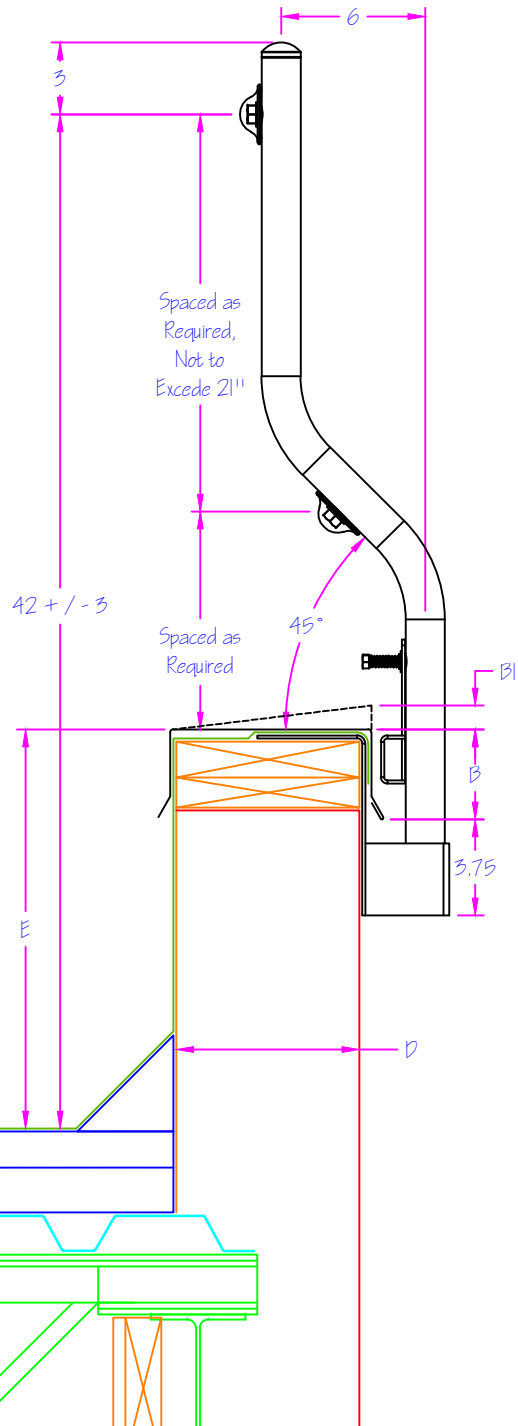
Distance "B1", Rise Height of Fascia or Coping Cap.
 Distance "B1": _____

Distance "D", Thickness of Parapet Wall.
 Distance "D": _____

Distance "E", Inside Height of Parapet Wall.
 Distance "E": _____

Acceptable Wall Structures:

- CMU
- Brick
- Concrete



**Leading Edge
 Safety**



Scale: NTS
 DWG: PRS-PAR-00

Parapet Wall Detail

1345 TANEY ST NORTH KANSAS CITY, MO 64116
 (T) 888-990-2990 (P) 816-471-1349
 SALES@LEADINGEDGESAFETY.NET
 ©2016 LEADING EDGE SAFETY, LLC

Rev.	Issued/Revd By:	Date:
01	M.S.S.	2/26/2016
02	Name	##/##/####
03	Name	##/##/####

NOTES:

Typical 6" Offset From Wall Face.
 Typical 45 Degree Upright Bend Angle

Distance "B", Face Height of Fascia or Coping Cap.
 Distance "B": _____

Distance "B1", Rise Height of Fascia or Coping Cap.
 Distance "B1": _____

Distance "G", Inside Height of Gutter Face.
 Distance "G": _____

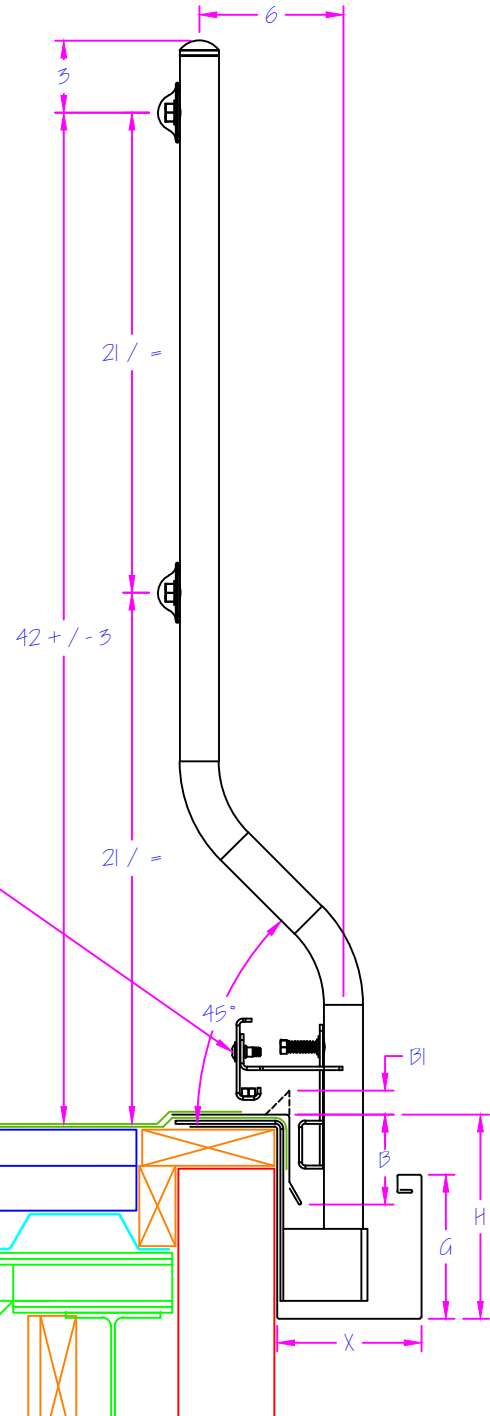
Distance "H", Inside Height of Gutter Back.
 Distance "H": _____

Distance "X", Inside Width of Gutter.
 Distance "X": _____

Acceptable Wall Structures:

- CMU
- Brick
- Concrete

Optional Toe Board



Leading Edge Safety



Scale: NTS
 DWG: PRS-LEG-00

Low Edge w/ Gutter Detail

1345 TANEY ST NORTH KANSAS CITY, MO 64116
 (T) 888-990-2990 (P) 816-471-1349
 SALES@LEADINGEDGESAFETY.NET
 ©2016 LEADING EDGE SAFETY, LLC

Rev.	Issued/Revd By:	Date:
01	M.S.S.	2/26/2016
02	Name	##/##/####
03	Name	##/##/####

NOTES:

Typical 6" Offset From Wall Face.
 Typical 45 Degree Upright Bend Angle

Distance "B", Face Height of Fascia or Coping Cap.
 Distance "B": _____

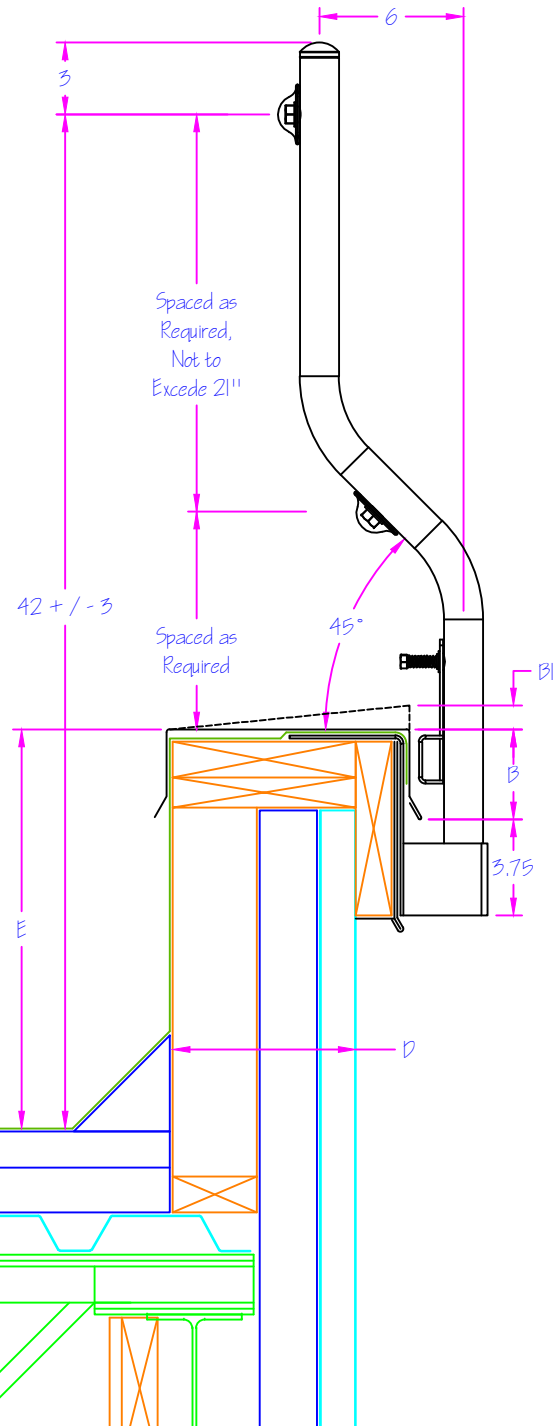
Distance "B1", Rise Height of Fascia or Coping Cap.
 Distance "B1": _____

Distance "D", Thickness of Parapet Wall.
 Distance "D": _____

Distance "E", Inside Height of Parapet Wall.
 Distance "E": _____

Acceptable Wall Structures:

- Metal Wall Panels
- Structural Insulated Panels
- Composite Metal Panels
- EFIS



**Leading Edge
 Safety**

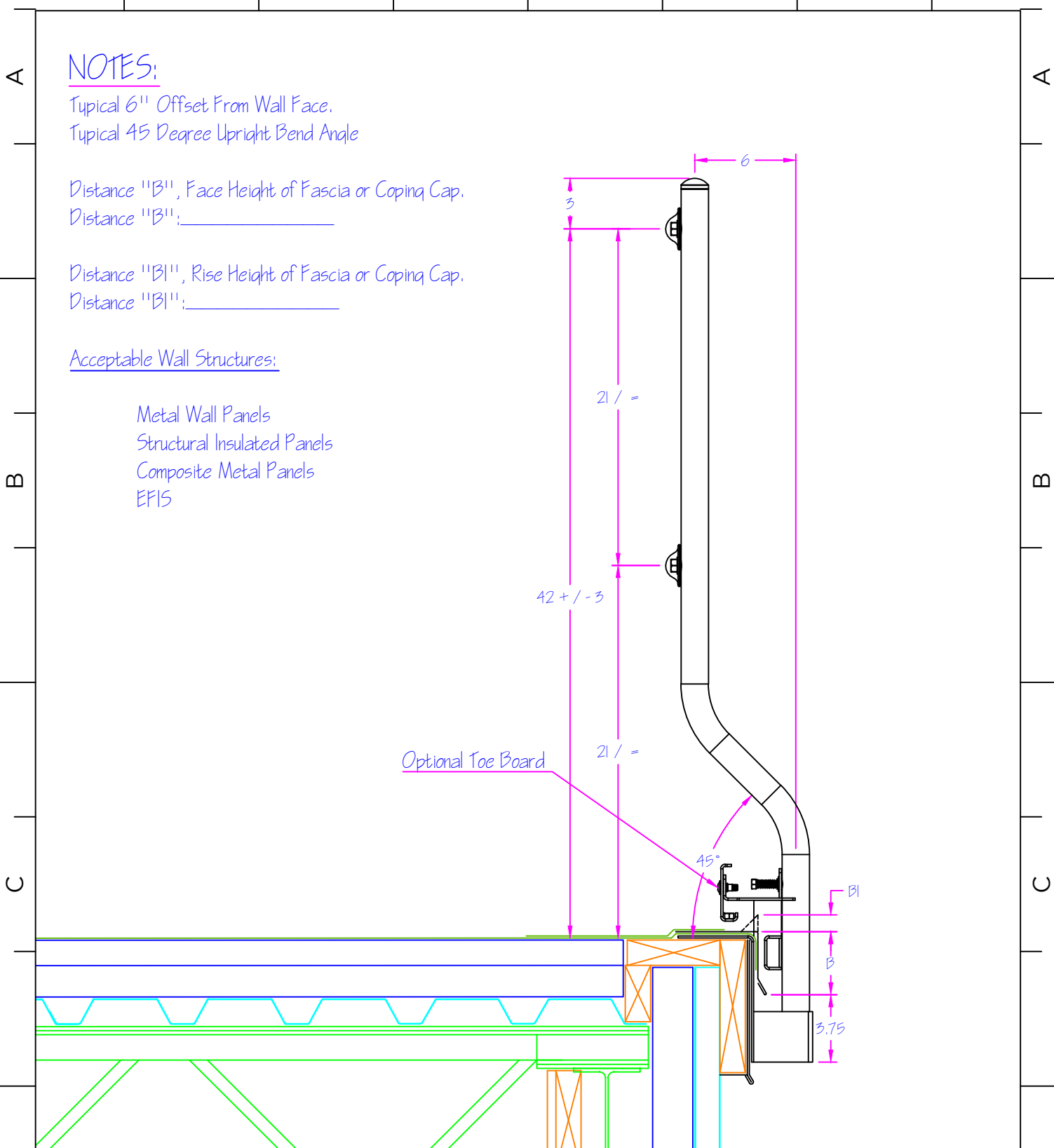


Scale: NTS
 DWG: PRS-MTL-PAR-00(A)

Parapet Wall Detail - Wood Blocking

1345 TANEY ST NORTH KANSAS CITY, MO 64116
 (T) 888-990-2990 (P) 816-471-1349
 SALES@LEADINGEDGESAFETY.NET
 ©2016 LEADING EDGE SAFETY, LLC

Rev.	Issued/Revd By:	Date:
01	M.S.S.	2/26/2016
02	Name	##/##/####
03	Name	##/##/####



NOTES:

Typical 6" Offset From Wall Face.
 Typical 45 Degree Upright Bend Angle

Distance "B", Face Height of Fascia or Coping Cap.
 Distance "B": _____

Distance "B1", Rise Height of Fascia or Coping Cap.
 Distance "B1": _____

Acceptable Wall Structures:

- Metal Wall Panels
- Structural Insulated Panels
- Composite Metal Panels
- EFIS

**Leading Edge
 Safety**



Scale: NTS
 DWG: PRS-MTL-LE-00(A)

Low Edge Detail - Wood Blocking

1345 TANEY ST NORTH KANSAS CITY, MO 64116
 (T) 888-990-2990 (P) 816-471-1349
 SALES@LEADINGEDGESAFETY.NET
 ©2016 LEADING EDGE SAFETY, LLC

Rev.	Issued/Revd By:	Date:
01	M.S.S.	2/26/2016
02	Name	##/##/####
03	Name	##/##/####

A

A

NOTES:

Typical 6" Offset From Wall Face.
Typical 45 Degree Upright Bend Angle

Distance "B", Face Height of Fascia or Coving Cap.
Distance "B": _____

Distance "B1", Rise Height of Fascia or Coving Cap.
Distance "B1": _____

Distance "G", Inside Height of Gutter Face.
Distance "G": _____

Distance "H", Inside Height of Gutter Back.
Distance "H": _____

Distance "X", Inside Width of Gutter.
Distance "X": _____

Acceptable Wall Structures:

- Metal Wall Panels
- Structural Insulated Panels
- Composite Metal Panels
- EFIS

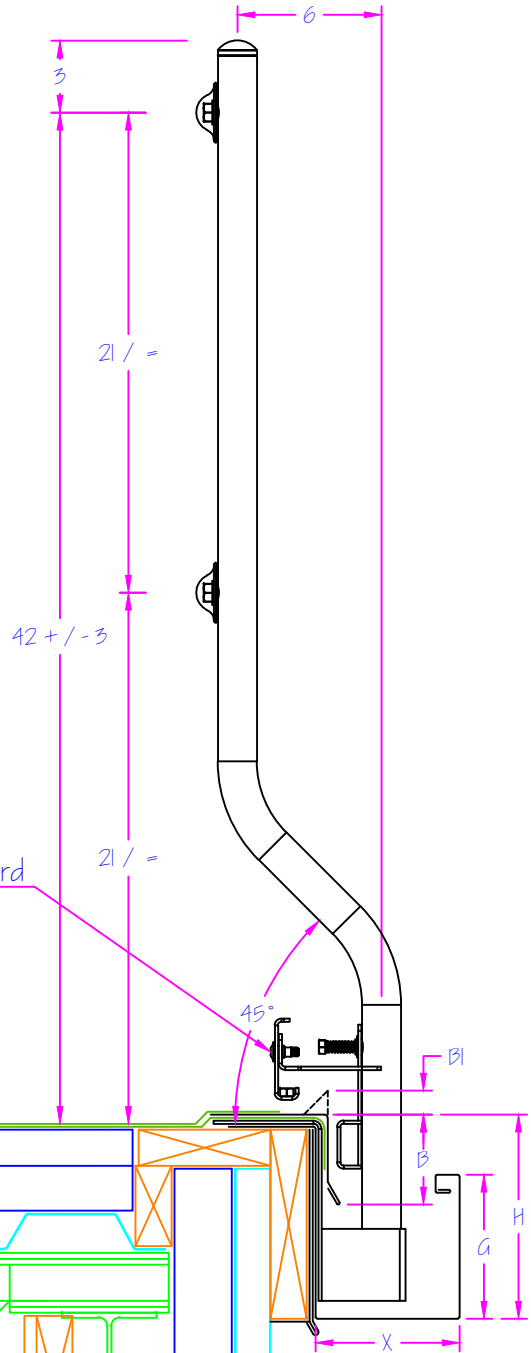
B

B

C

C

Optional Toe Board



Leading Edge Safety



Scale: NTS

DWG: PRS-MTL-LEG-00(A)

Low Edge w/ Gutter Detail - Wood Blocking

1345 TANEY ST NORTH KANSAS CITY, MO 64116
 (T) 888-990-2990 (P) 816-471-1349
 SALES@LEADINGEDGESAFETY.NET
 ©2016 LEADING EDGE SAFETY, LLC

Rev.	Issued/Revd By:	Date:
01	M.S.S.	2/26/2016
02	Name	##/##/####
03	Name	##/##/####

1

2

NOTES:

Typical 6" Offset From Wall Face.
 Typical 45 Degree Upright Bend Angle

Distance "B", Face Height of Fascia or Coping Cap.
 Distance "B": _____

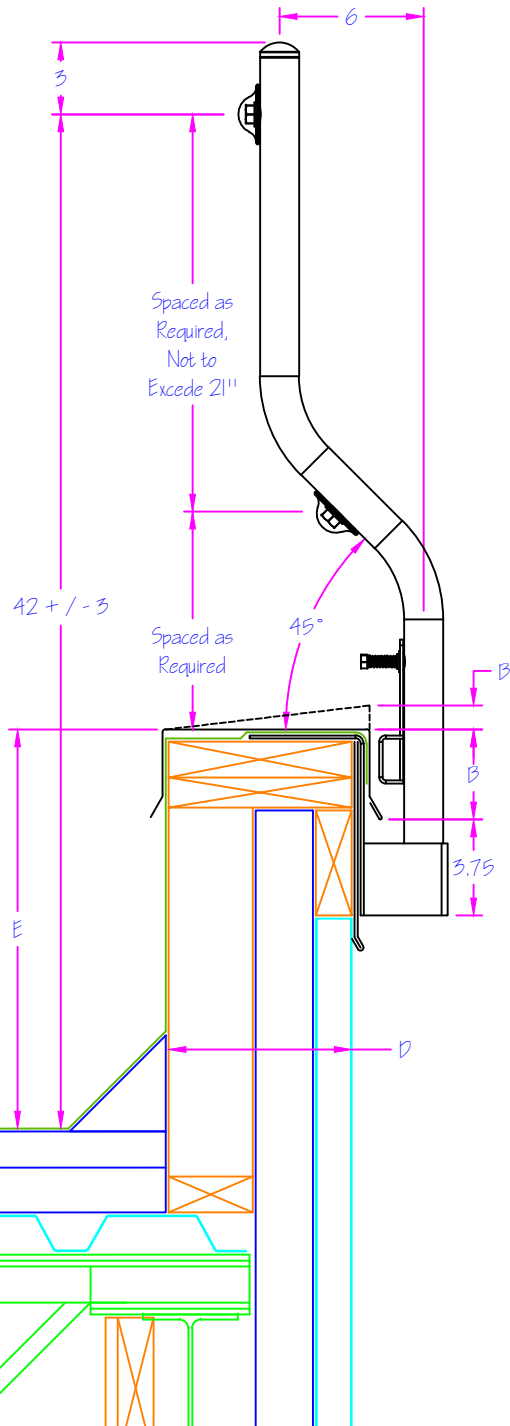
Distance "B1", Rise Height of Fascia or Coping Cap.
 Distance "B1": _____

Distance "D", Thickness of Parapet Wall.
 Distance "D": _____

Distance "E", Inside Height of Parapet Wall.
 Distance "E": _____

Acceptable Wall Structures:

- Metal Wall Panels
- Structural Insulated Panels
- Composite Metal Panels
- EFIS



**Leading Edge
Safety**



Scale: NTS
 DWG: PRS-MTL-PAR-00(B)
 Parapet Wall Detail - Fascia Extender

1345 TANEY ST NORTH KANSAS CITY, MO 64116
 (T) 888-990-2990 (P) 816-471-1349
 SALES@LEADINGEDGESAFETY.NET
 ©2016 LEADING EDGE SAFETY, LLC

Rev.	Issued/Revd By:	Date:
01	M.S.S.	2/26/2016
02	Name	##/##/####
03	Name	##/##/####

NOTES:

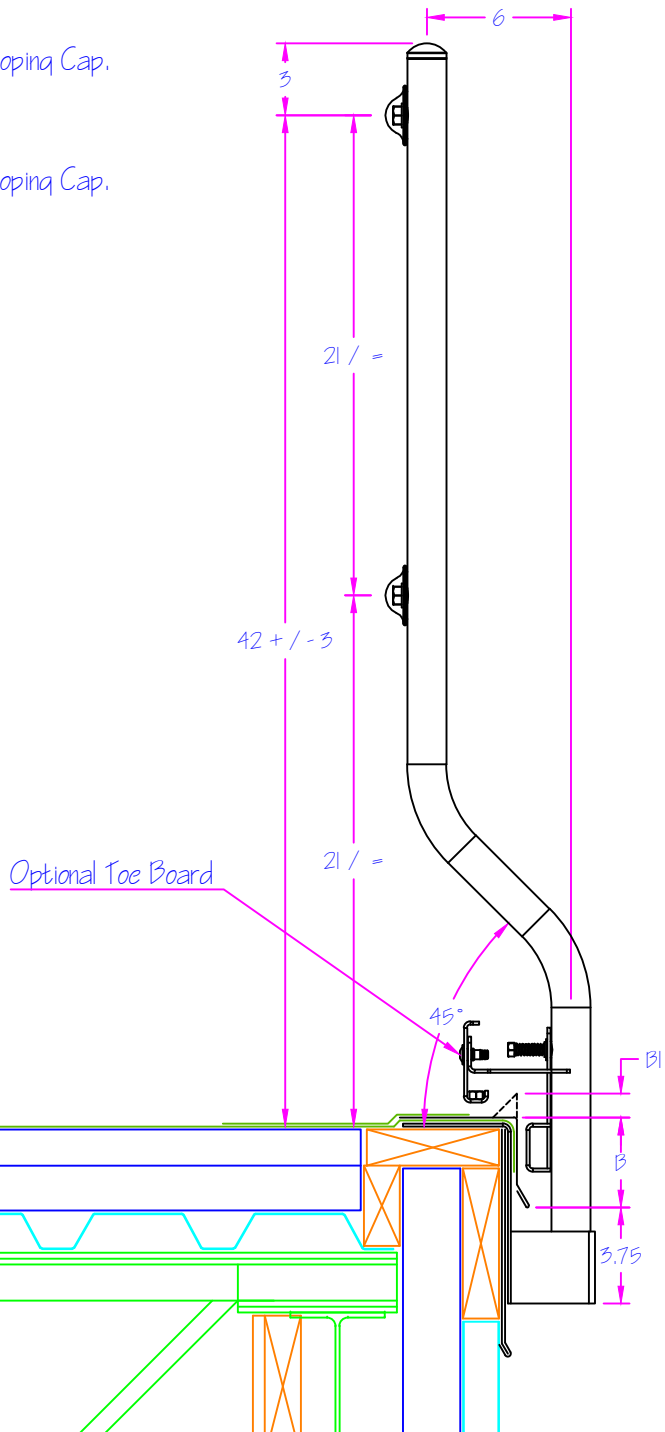
Typical 6" Offset From Wall Face.
 Typical 45 Degree Upright Bend Angle

Distance "B", Face Height of Fascia or Coping Cap.
 Distance "B": _____

Distance "B1", Rise Height of Fascia or Coping Cap.
 Distance "B1": _____

Acceptable Wall Structures:

- Metal Wall Panels
- Structural Insulated Panels
- Composite Metal Panels
- EFIS



Leading Edge Safety



Scale: NTS
 DWG: PRS-MTL-LE-00(B)
 Low Edge Detail - Fascia Extender

1345 TANEY ST NORTH KANSAS CITY, MO 64116
 (T) 888-990-2990 (P) 816-471-1349
 SALES@LEADINGEDGESAFETY.NET
 ©2016 LEADING EDGE SAFETY, LLC

Rev.	Issued/Revd By:	Date:
01	M.S.S.	2/26/2016
02	Name	##/##/####
03	Name	##/##/####

NOTES:

Typical 6" Offset From Wall Face.
 Typical 45 Degree Upright Bend Angle

Distance "B", Face Height of Fascia or Coving Cap.
 Distance "B": _____

Distance "B1", Rise Height of Fascia or Coving Cap.
 Distance "B1": _____

Distance "G", Inside Height of Cutter Face.
 Distance "G": _____

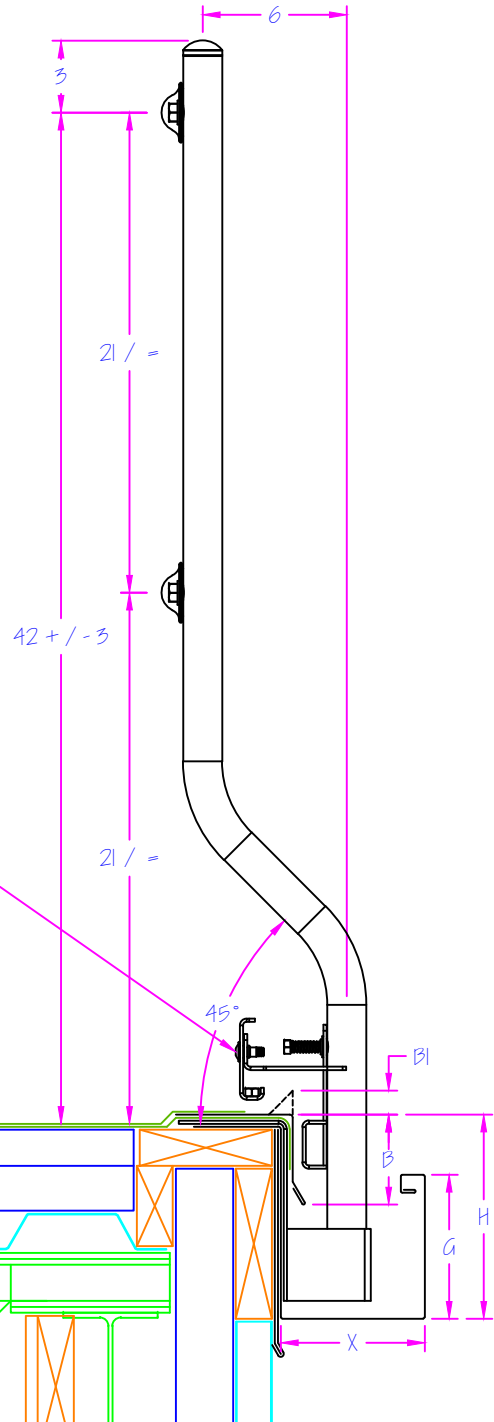
Distance "H", Inside Height of Cutter Back.
 Distance "H": _____

Distance "X", Inside Width of Cutter.
 Distance "X": _____

Acceptable Wall Structures:

- Metal Wall Panels
- Structural Insulated Panels
- Composite Metal Panels
- EFIS

Optional Toe Board



**Leading Edge
 Safety**



Scale: NTS

DWG: PRS-MTL-LEG-00(B)

Low Edge w/ Gutter Detail - Fascia Extender

1345 TANEY ST NORTH KANSAS CITY, MO 64116
 (T) 888-990-2990 (P) 816-471-1349
 SALES@LEADINGEDGESAFETY.NET
 ©2016 LEADING EDGE SAFETY, LLC

Rev.	Issued/Revd By:	Date:
01	M.S.S.	2/26/2016
02	Name	##/##/####
03	Name	##/##/####

NOTES:

Typical 6" Offset From Wall Face.
 Typical 45 Degree Upright Bend Angle

Distance "B", Face Height of Fascia or Coping Cap.
 Distance "B": _____

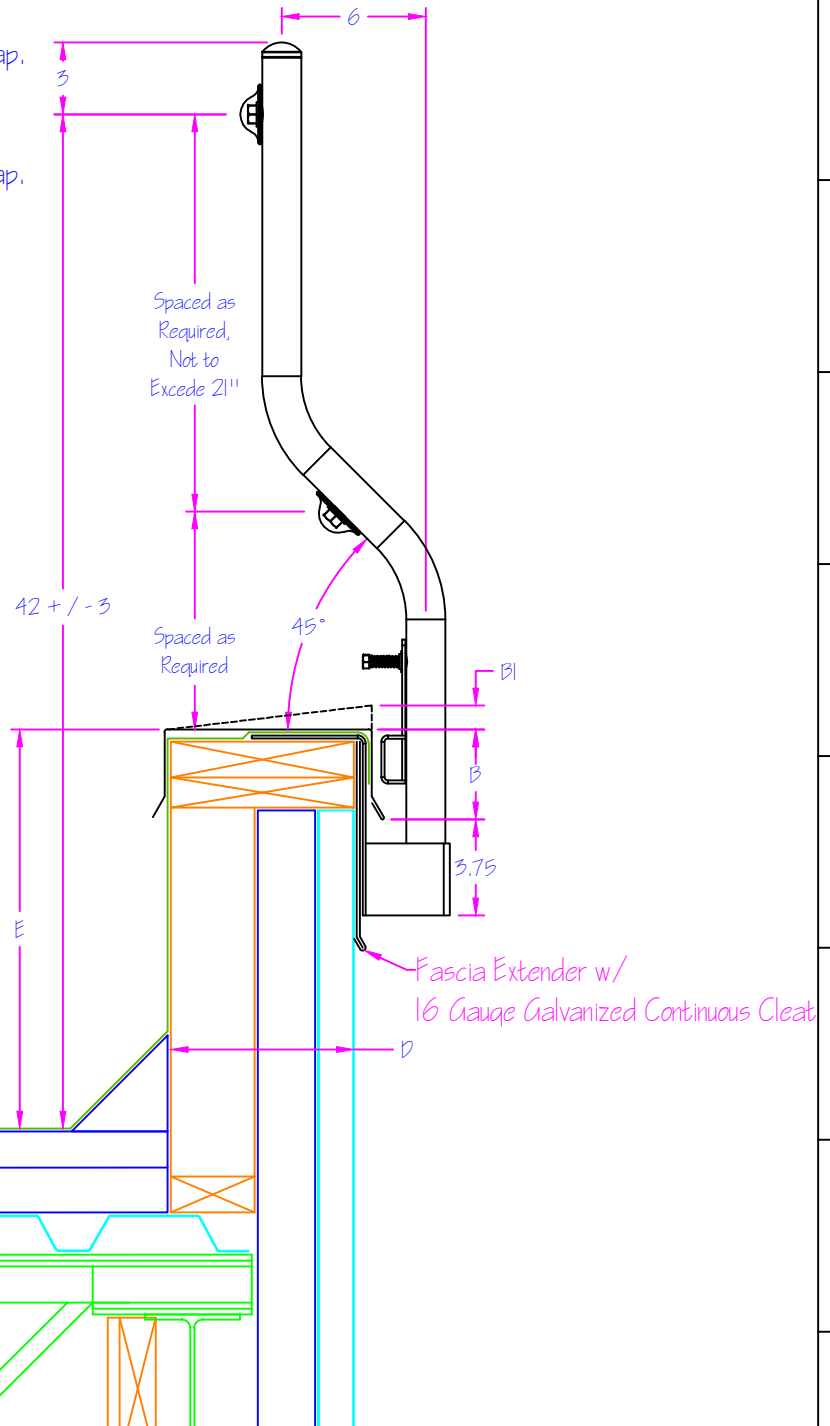
Distance "B1", Rise Height of Fascia or Coping Cap.
 Distance "B1": _____

Distance "D", Thickness of Parapet Wall.
 Distance "D": _____

Distance "E", Inside Height of Parapet Wall.
 Distance "E": _____

Acceptable Wall Structures:

- Metal Wall Panels
- Structural Insulated Panels
- Composite Metal Panels
- EFIS



**Leading Edge
 Safety**



Scale: NTS

DWG: PRS-MTL-PAR-00(C)

Parapet Wall Detail - Fascia Extender w/
 16 Gauge Continuous Cleat

1345 TANEY ST NORTH KANSAS CITY, MO 64116
 (T) 888-990-2990 (P) 816-471-1349
 SALES@LEADINGEDGESAFETY.NET
 ©2016 LEADING EDGE SAFETY, LLC

Rev.	Issued/Revd By:	Date:
01	M.S.S.	2/26/2016
02	Name	##/##/####
03	Name	##/##/####

NOTES:

Typical 6" Offset From Wall Face.
 Typical 45 Degree Upright Bend Angle

Distance "B", Face Height of Fascia or Coping Cap.
 Distance "B": _____

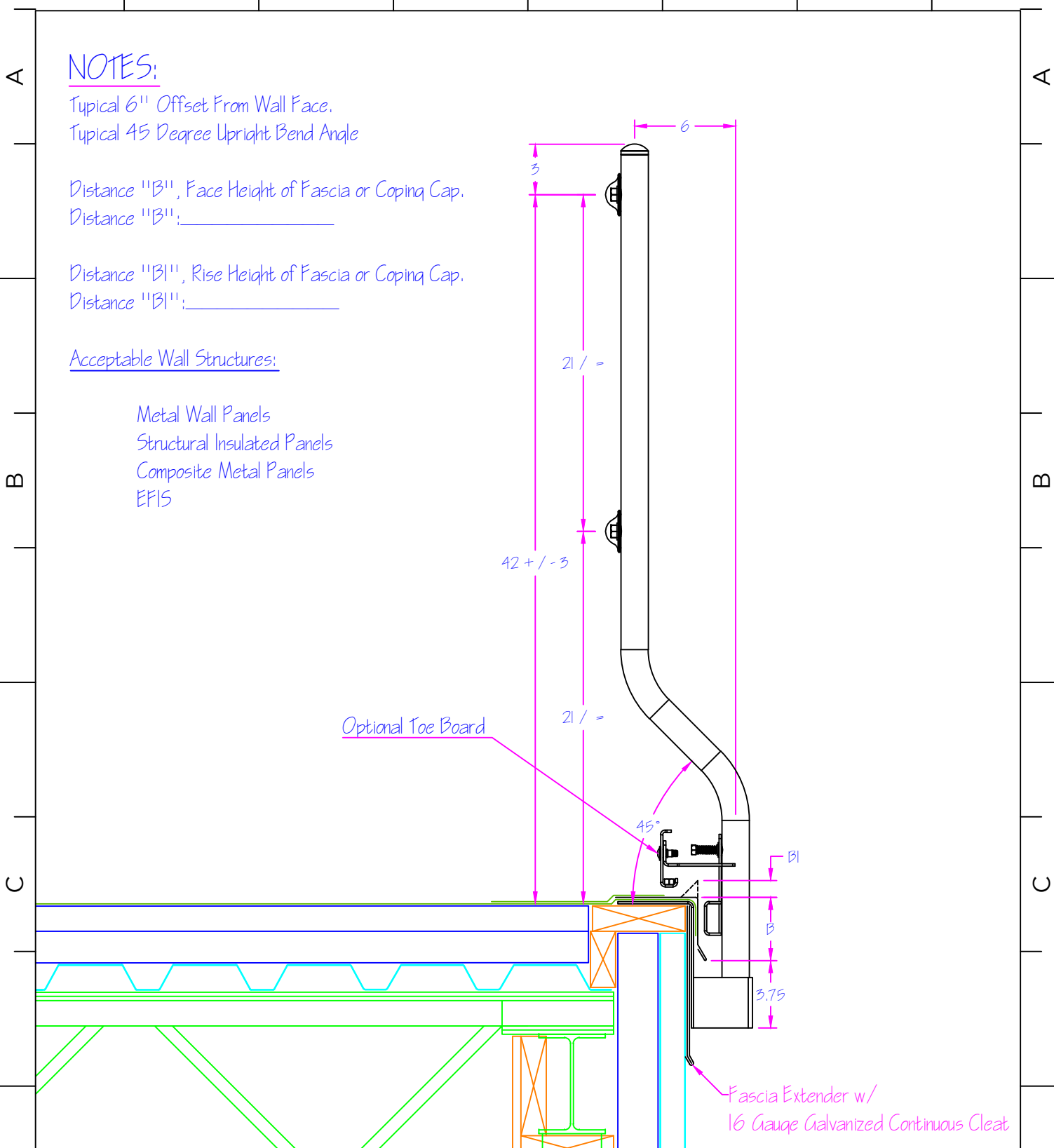
Distance "B1", Rise Height of Fascia or Coping Cap.
 Distance "B1": _____

Acceptable Wall Structures:

- Metal Wall Panels
- Structural Insulated Panels
- Composite Metal Panels
- EFIS

Optional Toe Board

Fascia Extender w/
 16 Gauge Galvanized Continuous Cleat



**Leading Edge
 Safety**



Scale: NTS
 DWG: PRS-MTL-LE-00(C)
 Low Edge Detail - Fascia Extender w/
 16 Gauge Continuous Cleat

1345 TANEY ST NORTH KANSAS CITY, MO 64116
 (T) 888-990-2990 (P) 816-471-1349
 SALES@LEADINGEDGESAFETY.NET
 ©2016 LEADING EDGE SAFETY, LLC

Rev.	Issued/Revd By:	Date:
01	M.S.S.	2/26/2016
02	Name	##/##/####
03	Name	##/##/####

NOTES:

Typical 6" Offset From Wall Face.
 Typical 45 Degree Upright Bend Angle

Distance "B", Face Height of Fascia or Coping Cap.
 Distance "B": _____

Distance "B1", Rise Height of Fascia or Coping Cap.
 Distance "B1": _____

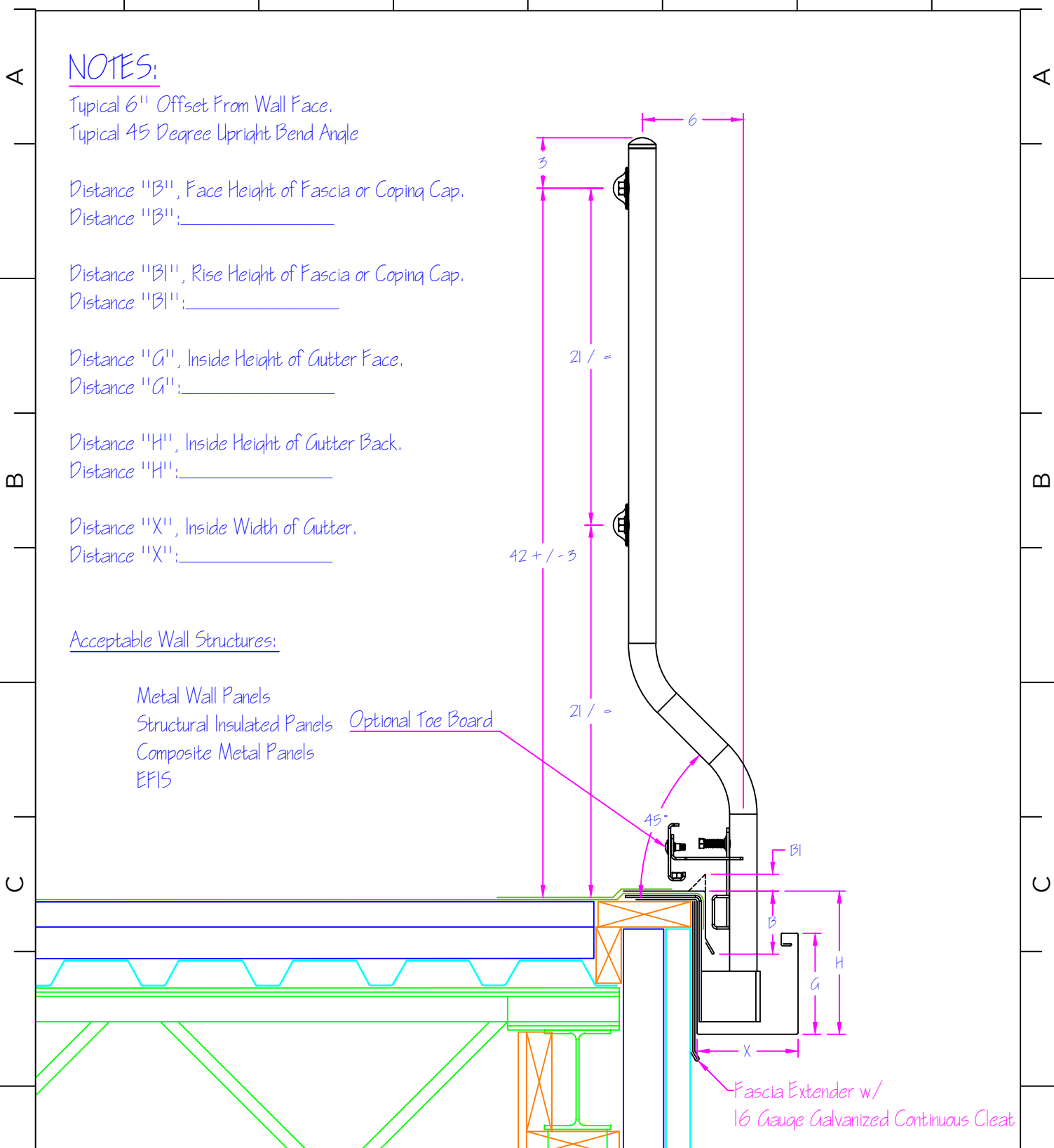
Distance "G", Inside Height of Cutter Face.
 Distance "G": _____

Distance "H", Inside Height of Cutter Back.
 Distance "H": _____

Distance "X", Inside Width of Cutter.
 Distance "X": _____

Acceptable Wall Structures:

- Metal Wall Panels
 - Structural Insulated Panels
 - Composite Metal Panels
 - EFIS
- Optional Toe Board*



Leading Edge Safety



Scale: NTS
 DWG: PRS-MTL-LEG-00(C)
 Low Edge w/ Gutter Detail - Fascia Extender w/ 16 Gauge Continuous Cleat

1345 TANEY ST NORTH KANSAS CITY, MO 64116
 (T) 888-990-2990 (P) 816-471-1349
 SALES@LEADINGEDGESAFETY.NET
 ©2016 LEADING EDGE SAFETY, LLC

Rev.	Issued/Revd By:	Date:
01	M.S.S.	2/26/2016
02	Name	##/##/####
03	Name	##/##/####