

A

NOTES:

Panel Rib Spacing - 12", 16", 18", 24" o.c.

Rib Spacing: _____

Roof Slope per inch.

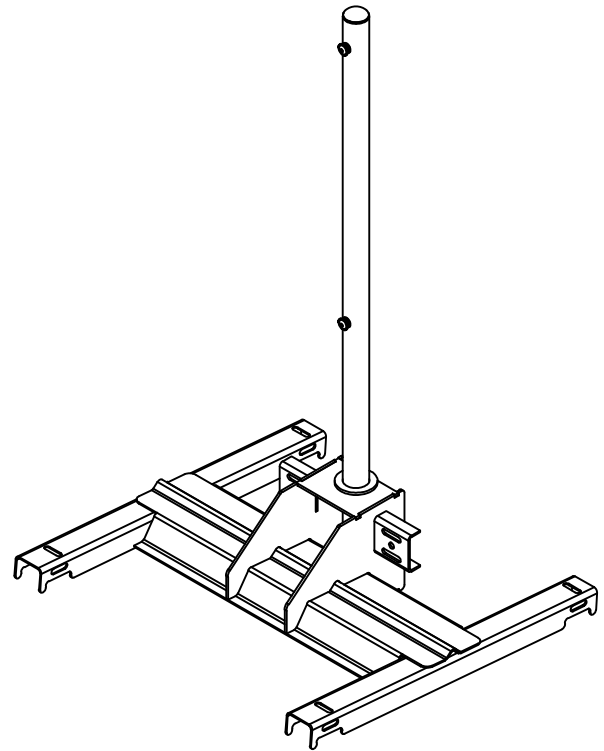
Slope: _____

Roof Panel Manufacturer: _____

Roof Panel Type: _____

2

A

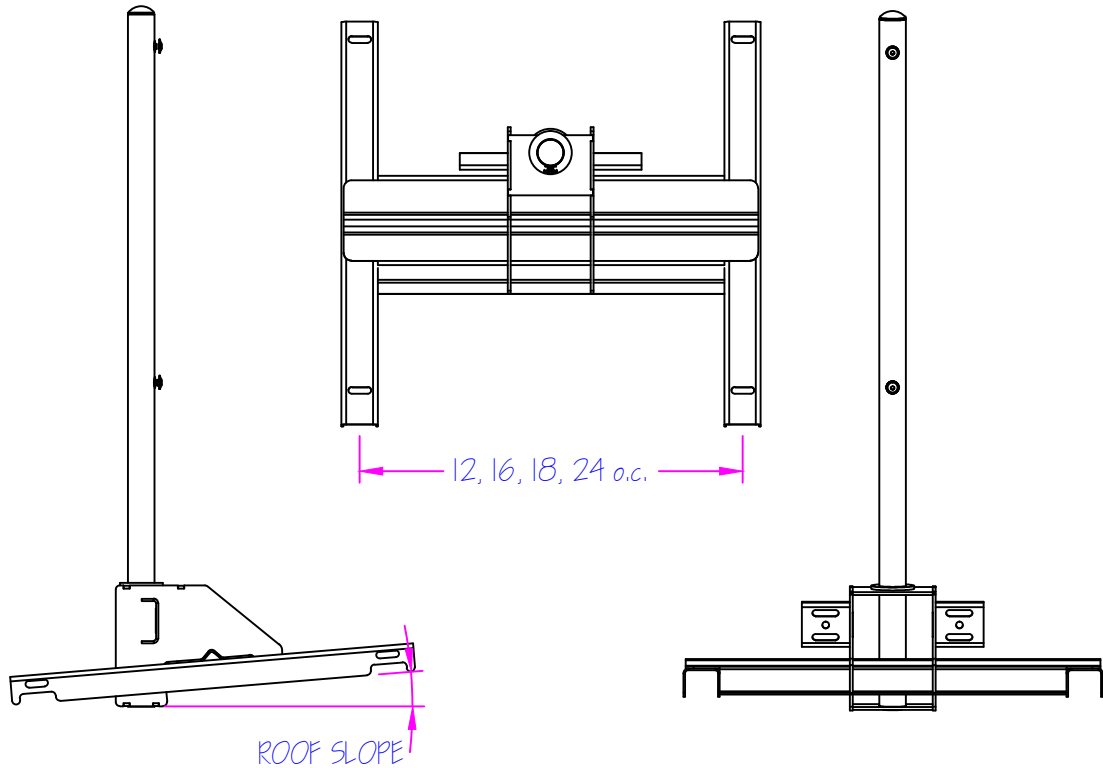


B

B

C

C



Leading Edge Safety



Scale: NTS
DWG: PRS-SS-00

Standing Seam Guardrail

1345 TANEY ST NORTH KANSAS CITY, MO 64116
(T) 888-990-2990 (P) 816-471-1349
SALES@LEADINGEDGESAFETY.NET
©2016 LEADING EDGE SAFETY, LLC

Rev.	Issued/Revd By:	Date:
01	M.S.S.	2/26/2016
02	Name	##/##/####
03	Name	##/##/####

1

2